



Learn the architecture - Generic Interrupt Controller v3 and v4, Overview

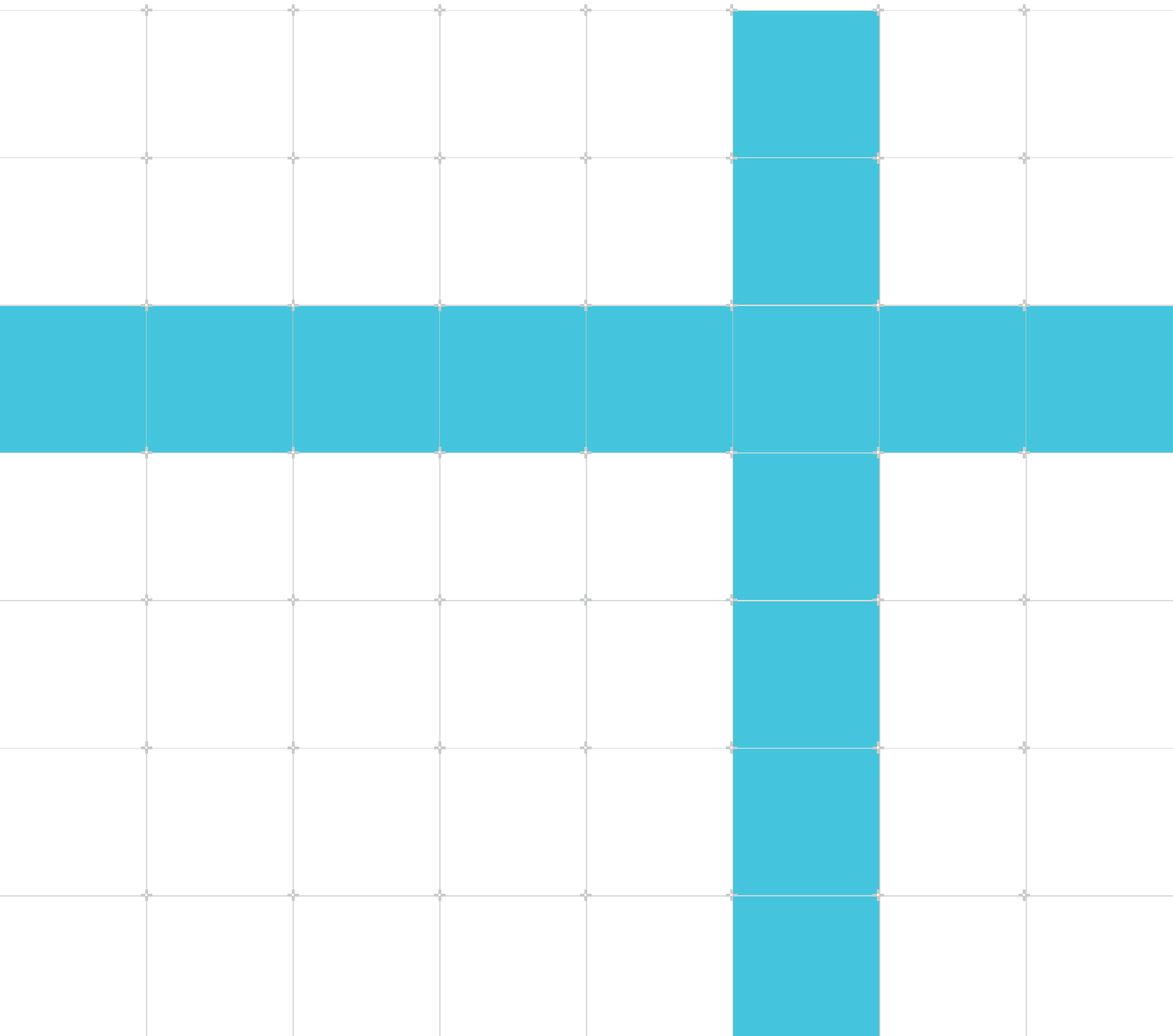
Version 3.2

Non-Confidential

Copyright © 2021 Arm Limited (or its affiliates).
All rights reserved.

Issue 00

198123_0302_00_en



Learn the architecture - Generic Interrupt Controller v3 and v4, Overview

Copyright © 2021 Arm Limited (or its affiliates). All rights reserved.

Release information

Document history

Issue	Date	Confidentiality	Change
3.2-00	6 December 2021	Non-Confidential	Replaces DAI0492B

Proprietary Notice

This document is protected by copyright and other related rights and the practice or implementation of the information contained in this document may be protected by one or more patents or pending patent applications. No part of this document may be reproduced in any form by any means without the express prior written permission of Arm. No license, express or implied, by estoppel or otherwise to any intellectual property rights is granted by this document unless specifically stated.

Your access to the information in this document is conditional upon your acceptance that you will not use or permit others to use the information for the purposes of determining whether implementations infringe any third party patents.

THIS DOCUMENT IS PROVIDED "AS IS". ARM PROVIDES NO REPRESENTATIONS AND NO WARRANTIES, EXPRESS, IMPLIED OR STATUTORY, INCLUDING, WITHOUT LIMITATION, THE IMPLIED WARRANTIES OF MERCHANTABILITY, SATISFACTORY QUALITY, NON-INFRINGEMENT OR FITNESS FOR A PARTICULAR PURPOSE WITH RESPECT TO THE DOCUMENT. For the avoidance of doubt, Arm makes no representation with respect to, and has undertaken no analysis to identify or understand the scope and content of, patents, copyrights, trade secrets, or other rights.

This document may include technical inaccuracies or typographical errors.

TO THE EXTENT NOT PROHIBITED BY LAW, IN NO EVENT WILL ARM BE LIABLE FOR ANY DAMAGES, INCLUDING WITHOUT LIMITATION ANY DIRECT, INDIRECT, SPECIAL, INCIDENTAL, PUNITIVE, OR CONSEQUENTIAL DAMAGES, HOWEVER CAUSED AND REGARDLESS OF THE THEORY OF LIABILITY, ARISING OUT OF ANY USE OF THIS DOCUMENT, EVEN IF ARM HAS BEEN ADVISED OF THE POSSIBILITY OF SUCH DAMAGES.

This document consists solely of commercial items. You shall be responsible for ensuring that any use, duplication or disclosure of this document complies fully with any relevant export laws and regulations to assure that this document or any portion thereof is not exported, directly

or indirectly, in violation of such export laws. Use of the word “partner” in reference to Arm’s customers is not intended to create or refer to any partnership relationship with any other company. Arm may make changes to this document at any time and without notice.

This document may be translated into other languages for convenience, and you agree that if there is any conflict between the English version of this document and any translation, the terms of the English version of the Agreement shall prevail.

The Arm corporate logo and words marked with ® or ™ are registered trademarks or trademarks of Arm Limited (or its affiliates) in the US and/or elsewhere. All rights reserved. Other brands and names mentioned in this document may be the trademarks of their respective owners. Please follow Arm’s trademark usage guidelines at <https://www.arm.com/company/policies/trademarks>.

Copyright © 2021 Arm Limited (or its affiliates). All rights reserved.

Arm Limited. Company 02557590 registered in England.

110 Fulbourn Road, Cambridge, England CB1 9NJ.

(LES-PRE-20349|version 21.0)

Confidentiality Status

This document is Non-Confidential. The right to use, copy and disclose this document may be subject to license restrictions in accordance with the terms of the agreement entered into by Arm and the party that Arm delivered this document to.

Unrestricted Access is an Arm internal classification.

Product Status

The information in this document is Final, that is for a developed product.

Feedback

Arm welcomes feedback on this product and its documentation. To provide feedback on the product, create a ticket on <https://support.developer.arm.com>

To provide feedback on the document, fill the following survey: <https://developer.arm.com/documentation-feedback-survey>.

Inclusive language commitment

Arm values inclusive communities. Arm recognizes that we and our industry have used language that can be offensive. Arm strives to lead the industry and create change.

We believe that this document contains no offensive language. To report offensive language in this document, email terms@arm.com.

Contents

1. Overview.....	6
2. Before you begin.....	7
3. What is a Generic Interrupt Controller?.....	8
4. Arm GIC fundamentals.....	10
5. Configuring the Arm GIC.....	20
6. Handling interrupts.....	27
7. Sending and receiving Software Generated Interrupts.....	38
8. Example.....	41
9. Check your knowledge.....	42
10. Related information.....	43
11. Next steps.....	44
12. Appendix: Legacy operation.....	45

1. Overview

This guide provides an overview of the features of the Arm Generic Interrupt Controller (GIC) v3 and v4. The guide describes the operation of a GICv3 compliant interrupt controller. It also describes how to configure a GICv3 interrupt controller for use in a bare metal environment.

This guide is the first in a collection of related guides about Arm Generic Interrupt Controllers:

- Arm CoreLink Generic Interrupt Controller v3 and v4: [Overview](#) (this guide)
- Arm CoreLink Generic Interrupt Controller v3 and v4: [Locality-specific Peripheral Interrupts](#)
- Arm CoreLink Generic Interrupt Controller v3 and v4: [Virtualization](#)

Background

An interrupt is a signal to the processor that an event has occurred which needs to be dealt with. Interrupts are typically generated by peripherals.

For example, a system might use a Universal Asynchronous Receiver/Transmitter (UART) interface to communicate with the outside world. When the UART receives data, it needs a mechanism to be able to tell the processor that new data has arrived and is ready to be processed. One mechanism that a UART could use is to generate an interrupt to signal the processor.

Small systems might have only a few interrupt sources and a single processor. However, larger systems might have many more potential interrupt sources and processors. The GIC performs the critical tasks of interrupt management, prioritization, and routing. The GIC marshals all interrupts from across the system, prioritizes them, and sends them to a core to be dealt with. GICs are primarily used to boost processor efficiency and to enable interrupt virtualization.

GICs are implemented based on the Arm GIC architecture. This architecture has evolved from GICv1 to the latest versions GICv3 and GICv4. Arm has several generic interrupt controllers that provide a range of interrupt management solutions for all types of Arm Cortex multiprocessor systems. These controllers range from the simplest GIC-400 for systems with small CPU cores counts to GIC-600 for high-performant and multi-chip systems. GIC-600AE adds additional safety features targeting high performant ASIL B to ASIL D systems.

At the end of this guide, you can check your knowledge. You will have learned about the different types of interrupts, and be able to write software that enables the GIC and configures these different interrupt types.

2. Before you begin

This guide covers the basic operation of the GICv3 and v4 and the use of Shared Peripheral Interrupt (SPIs), Private Peripheral Interrupt (PPIs), and Software Generated Interrupts (SGIs).

This guide complements the [Arm Generic Interrupt Controller Architecture Specification GIC architecture version 3.0 and 4.0](#). It is not a replacement or an alternative. Refer to the Arm Generic Interrupt Controller Architecture Specification GIC architecture version 3.0 and 4.0 for detailed descriptions of registers and behaviors.

GICv3 and GICv4 allow for several different configurations and use cases. For simplicity, this guide concentrates on a subset of those configurations and use cases, in which:

- Two Security states are present.
- Affinity routing is enabled for both Security states.
- System register access is enabled at all Exception levels.
- The connected processor, or processors, are Armv8-A or Armv9-A compliant, implement all Exception levels and use AArch64 at all Exception levels.

This guide does not cover:

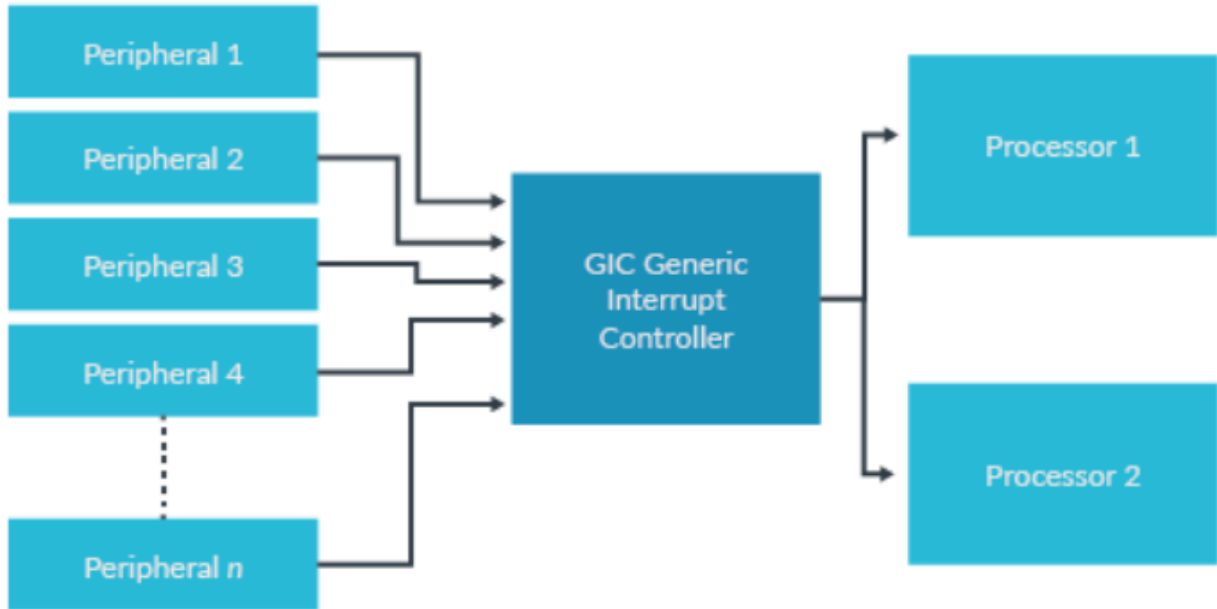
- Legacy operation.
- Use from an Exception level that is using AArch32.

This guide assumes that you are familiar with the Arm Exception model. If you want to learn about the Arm Exception model, you can read the [Learn the Architecture: Exception model guide](#).

3. What is a Generic Interrupt Controller?

A Generic Interrupt Controller (GIC) takes interrupts from peripherals, prioritizes them, and delivers them to the appropriate processor core. The following diagram shows a GIC taking interrupts from n different peripherals, and distributing them to two different processors.

Figure 3-1: GIC example



The GIC is the standard interrupt controller for Arm Cortex-A and Arm Cortex-R profile processors. The GIC provides a flexible and scalable approach to interrupt management, supporting systems with a single core to large multi-chip designs with hundreds of cores.

A brief history of the Arm CoreLink GIC

Like the Arm architecture, the GIC architecture has evolved over time. The following table summarizes the major releases of the GIC specification and the processors that they are typically used with.

GIC versions	Key features	Typically used with
GICv1	Support for up to eight PEs Support for up to 1020 interrupt IDs Support for two Security states	Arm Cortex-A5 MPCore Arm Cortex-A9 MPCore Arm Cortex-R4 Arm Cortex-R5 MPCore Arm Cortex-R7 MPCore Arm Cortex-R8 MPCore

GIC versions	Key features	Typically used with
GICv2	All key features of GICv1 Support for virtualization	Arm Cortex-A7 MPCore Arm Cortex-A15 MPCore Arm Cortex-A17 MPCore
GICv3	All key features of GICv2 Support for more than eight PEs Support for message-signaled interrupts Support for more than 1020 interrupt IDs System register access to the CPU Interface registers An enhanced security model that separates Secure and Non-secure Group 1 interrupts	Arm Cortex-A3x MPCore Arm Cortex-A5x MPCore Arm Cortex-A7x MPCore
GICv4	All key features of GICv3 Direct injection of virtual interrupts Arm Cortex-A3x MPCore	Arm Cortex-A5x MPCore Arm Cortex-A7x MPCore

This guide covers Arm CoreLink GICv3 and GICv4, which are used by most Armv9-A, Armv8-A and Armv8-R designs.

GICv3 and GICv4 have also received minor updates since they were released:

- GICv3.1 added support additional wired interrupts, Secure virtualization and Memory System Resource Partitioning and Monitoring (MPAM)
- GICv3.2 added support for Armv8-R AArch64.
- GICv3.3 added support for non-maskable interrupts.
- GICv4.1 extended virtualization support to cover direct-injection of virtual Software Generated Interrupts (SGIs)
- GICv4.2 added support for directly-injecting non-maskable virtual interrupts.



GICv2m is an extension to GICv2 to add support for message-signaled interrupts. For more information contact Arm Support.

4. Arm GIC fundamentals

In this section, we look at the basic operation of the Arm GICv3 and v4 interrupt controllers.

Interrupt types

The GIC can deal with four different types of interrupt sources:

- Shared Peripheral Interrupt (SPI). Peripheral interrupts that can be delivered to any connected core.
- Private Peripheral Interrupt (PPI). Peripheral interrupts that are private to one core. An example of a PPI is an interrupt from the Generic Timer.
- Software Generated Interrupt (SGI). SGIs are typically used for inter-processor communication and are generated by a write to an SGI register in the GIC.
- Locality-specific Peripheral Interrupt (LPI). LPIs were first introduced in GICv3 and have a very different programming model to the other three types of interrupt. The configuration of LPIs is covered in the Arm CoreLink Generic Interrupt Controller v3 and v4: Locality-specific Peripheral Interrupts guide.

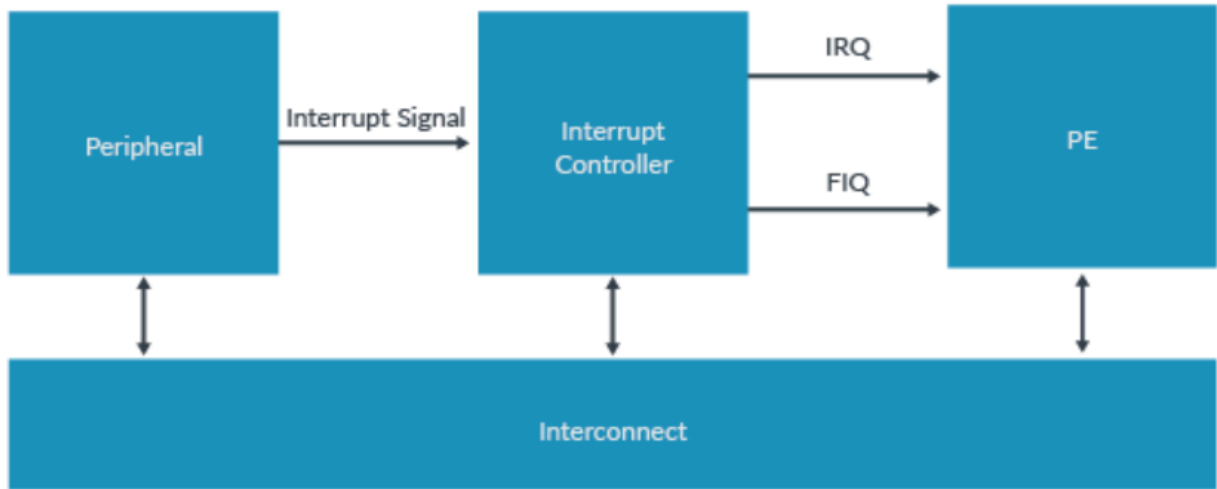
Each interrupt source is identified by an ID number, which is referred to as an INTID. The interrupt types that are introduced in the preceding list are defined in terms of ranges of INTIDs:

INTID	Interrupt Type	Notes
0 - 15	SGIs	Banked per PE
16 - 31	PPIs	Banked per PE
1056 - 1119 (GICv3.1)		
32 - 1019	SPIs	-
4096 - 5119 (GICv3.1)		
1020 - 1023	Special interrupt number	Used to signal special cases, see Settings for each PE for more information.
1024 - 8191	Reserved	-
8192 and greater	LPIs	The upper boundary is IMPLEMENTATION DEFINED

How interrupts are signaled to the interrupt controller

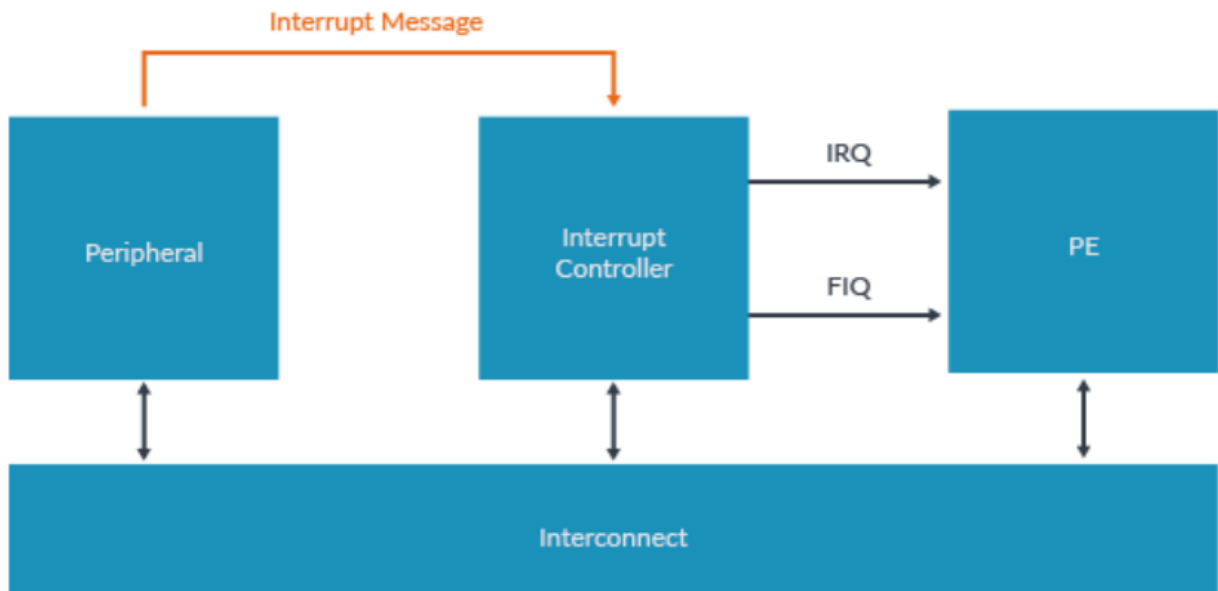
Traditionally, interrupts are signaled from a peripheral to the interrupt controller using a dedicated hardware signal, as shown in the following image:

Figure 4-1: Dedicated interrupt signal



Arm CoreLink GICv3 supports this model, but also provides an additional signaling mechanism: message-signaled interrupts (MSI). MSIs are transmitted by a write to a register in the interrupt controller, as you can see here:

Figure 4-2: Message signaled interrupt signal



Using a message to forward the interrupt from a peripheral to the interrupt controller removes the requirement for a dedicated signal for each interrupt source. This can be an advantage for designers of large systems, where potentially hundreds or even thousands of signals might be routed across an SoC and converge on the interrupt controller.

Whether an interrupt is sent as a message or using a dedicated signal has little effect on the way that the interrupt handling code handles the interrupt. Some configuration of the peripherals might be required. For example, it might be necessary to specify the address of the interrupt controller. This peripheral configuration is beyond of the scope of this guide.

In Arm CoreLink GICv3, SPIs can be message-signaled interrupts. LPIs are always message-signaled interrupts. Different registers are used for the different interrupt types, as shown in the following table:

Interrupt Type	Registers
SPI	GICD_SETSPI_NSR asserts an interrupt GICD_SETSPI_NSR asserts an interrupt
LPI	GITS_TRANSLATER

Interrupt state machine

The interrupt controller maintains a state machine for each SPI, PPI, and SGI interrupt source. This state machine consists of four states:

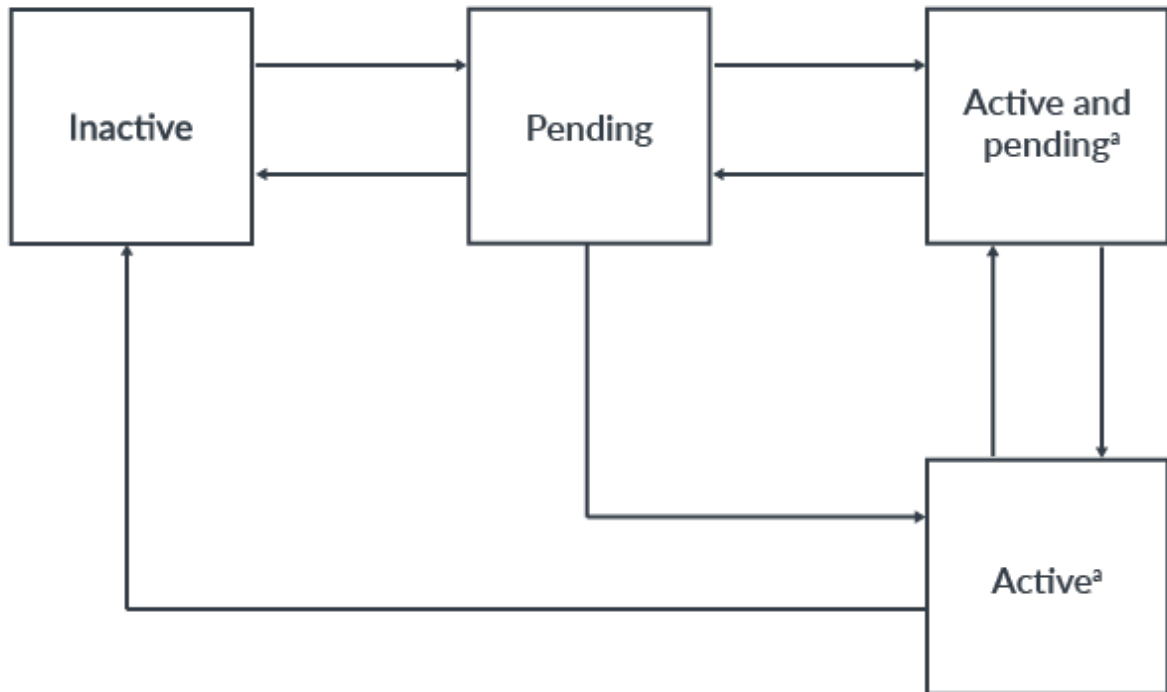
- Inactive. The interrupt source is not currently asserted.
- Pending. The interrupt source has been asserted, but the interrupt has not yet been acknowledged by a PE.
- Active. The interrupt source has been asserted, and the interrupt has been acknowledged by a PE.
- Active and Pending. An instance of the interrupt has been acknowledged, and another instance is now pending.



LPIs have a simpler state machine. See Taking an interrupt for more information.

The state machine is shown in the following diagram:

Figure 4-3: Interrupt state machine



a. Not applicable for LPIs.

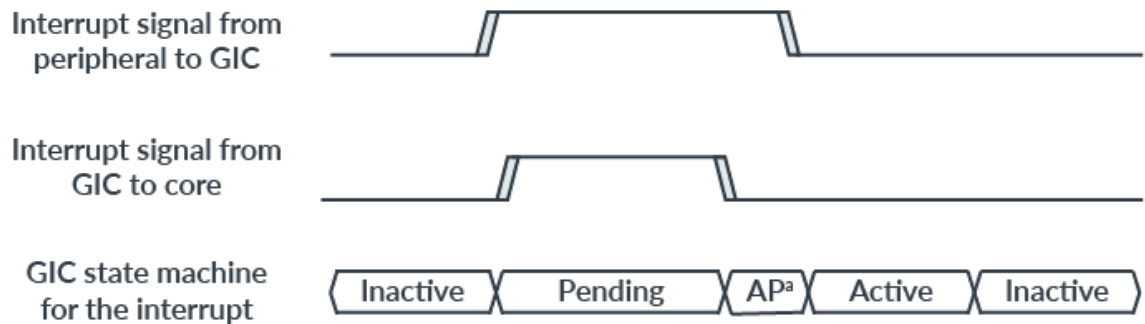
The life cycle of an interrupt depends on whether it is configured to be level-sensitive or edge-triggered:

- For level-sensitive interrupts, a rising edge on the interrupt input causes the interrupt to become pending, and the interrupt is held asserted until the peripheral de-asserts the interrupt signal.
- For edge-sensitive interrupts, a rising edge on the interrupt input causes the interrupt to become pending, but the interrupt is not held asserted.

Level sensitive interrupts

The following diagram shows how the interrupt state transitions correspond to the interrupt signal:

Figure 4-4: Timing level sensitive



^aActive and Pending

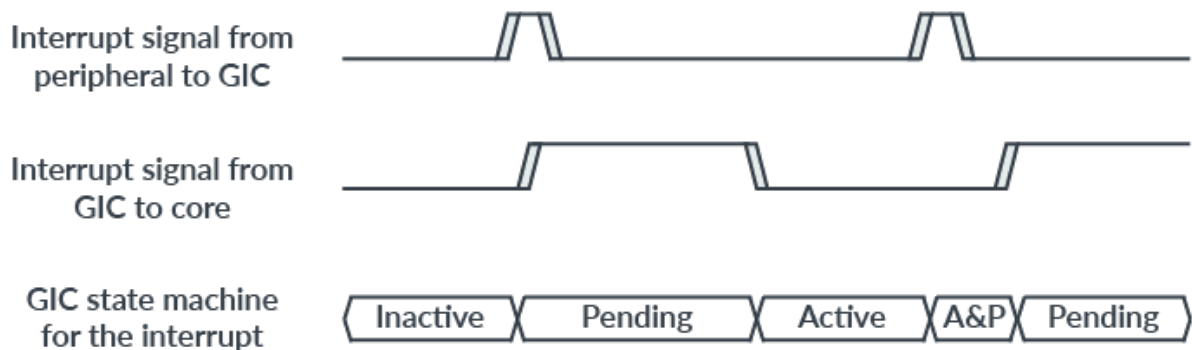
Considering each state transition in turn:

- Inactive to pending. An interrupt transitions from inactive to pending when the interrupt source is asserted. At this point the GIC asserts the interrupt signal to the PE, if the interrupt is enabled and is of sufficient priority.
- Pending to active and pending. An interrupt transitions from pending to active and pending when a Processor Element (PE) acknowledges the interrupt by reading one of the Interrupt Acknowledge Registers (IARs) in the CPU interface. This read is typically part of an interrupt handling routine that executes after an interrupt exception is taken. At this point the GIC de-asserts the interrupt signal to the PE.
- Active and pending to active. An interrupt transitions from active and pending to active when the peripheral de-asserts the interrupt signal. This typically happens in response software writing to a status register in the peripheral.
- Active to inactive. An interrupt goes from active to inactive when the PE writes to one of the End of Interrupt Registers (EOIRs) in the CPU interface. This indicates that the PE has finished handling the interrupt.

Edge-triggered interrupts

The following diagram shows how the interrupt state transitions correspond to the interrupt signal:

Figure 4-5: Timing edge-triggered



Considering each state transition in turn:

- Inactive to pending. An interrupt transitions from inactive to pending when the interrupt source is asserted. At this point the GIC asserts the interrupt signal to the PE, if the interrupt is enabled and is of sufficient priority.
- Pending to active. An interrupt transitions from pending to active when a PE acknowledges the interrupt by reading one of the IARs in the CPU interface. This read is typically part of an interrupt handling routine that executes after an interrupt exception is taken. However, software can also poll the IARs. At this point the GIC de-asserts the interrupt signal to the PE.
- Active to active and pending. An interrupt goes from active to active and pending if the peripheral re-asserts the interrupt signal.
- Active and pending to pending. An interrupt goes from active and pending to pending when the PE writes to one of the EOIRs in the CPU interface. This indicates that the PE has finished handling the first instance of the interrupt. At this point the GIC re-asserts the interrupt signal to the PE.

Target interrupts

The Arm architecture assigns each PE a hierarchical identifier that is called an affinity. The GIC uses affinity values to target interrupts at a specific core.

An affinity is a 32-bit value that is split into four fields:

```
<affinity level 3>.<affinity level 2>.<affinity level 1>.<affinity level 0>
```

The affinity of a PE is reported in `MPIDR_EL1`.

The exact meaning of the different levels of affinity is defined by the specific processor and SoC. For example, Arm Cortex-A53 and Arm Cortex-A57 processors use:

```
<group of groups>.<group of processors>.<processor>.<core>
```

Later designs, like those used in Arm Cortex-A55 and Arm Cortex-A76 processors, use:

<group of processors>.<processor>.<core>.<thread>

It is highly unlikely that all the possible nodes exist in a single implementation. For example, an SoC for a mobile device could have a layout like this:

0.0.0. [0:3] Cores 0 to 3 of a Cortex-A53 processor

0.0.1. [0:1] Cores 0 to 1 of a Cortex-A57 processor



AArch32 state, and Armv7-A, can only support three levels of affinity. This means that a design that uses AArch32 state is limited to a single node at affinity level 3 (0.x.y.z). `GICD_TYPER.A3V` indicates whether the interrupt controller can support multiple level 3 nodes.

Security model

The Arm GICv3 architecture supports Arm TrustZone technology. Each INTID must be assigned a group and security setting by software. GICv3 supports three combinations of settings, as you can see in the following table:

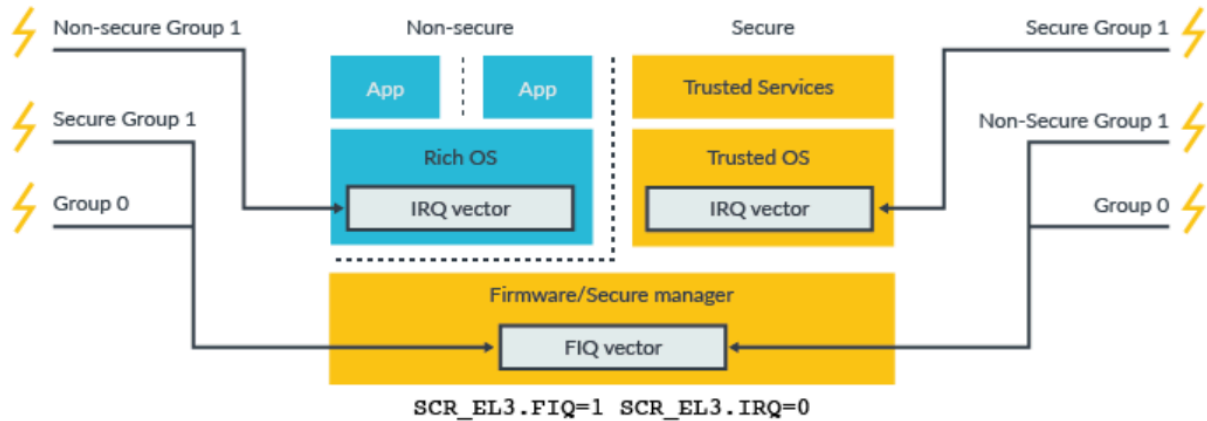
Interrupt Type	Example use
Secure Group 0	Interrupts for EL3 (Secure Firmware)
Secure Group 1	Interrupts for Secure EL1 (Trusted OS)
Non-secure Group 1	Interrupts for the Non-secure state (OS or Hypervisor)

Group 0 interrupts are always signaled as FIQs. Group 1 interrupts are signaled as either IRQs or FIQs, depending on the current Security state and Exception level of the PE, as you can see here:

EL and Security state of PE	Group 0	Group 1	Group 1
		Secure	Non-secure
Secure EL0/1	FIQ	IRQ	FIQ
Non-secure EL0/1/2	FIQ	FIQ	IRQ
EL3	FIQ	FIQ	FIQ

These rules are designed to complement the AArch64 security state and Exception level routing controls. The following diagram shows a simplified software stack, and what happens when different types of interrupt are signaled while executing at EL0:

Figure 4-6: Interrupt routing example



In this example, IRQs are routed to EL1 (`SCR_EL3.IRQ==0`) and FIQs routed to EL3 (`SCR_EL3.FIQ==1`). Considering the rules described above, while executing at EL1 or EL0 a Group 1 interrupt for the current Security state is taken as an IRQ.

An interrupt for the other Security state triggers an FIQ, and the exception is taken to EL3. This allows software executing at EL3 to perform the necessary context switch.

Impact on software



When the Armv9-A Realm Management Extensions is implemented, the GIC treats Realm state as an extension of non-secure state.

Software controls the allocation of INTIDs to interrupt groups when configuring the interrupt controller. Only software executing in Secure state can allocate INTIDs to interrupt groups.

Typically, only software executing in Secure state should be able to access the settings and state of Secure interrupts: Group 0 and Secure Group 1.

Accesses from Non-secure state to Secure interrupt settings and state can be enabled. This is controlled individually for each INTID, using the `GICD_NSACRn` and `GICR_NSACR` registers.



LPIs are always treated as Non-secure Group 1 interrupts.

Support for single Security state

GICv3 supports the Arm TrustZone technology, but the use of TrustZone is OPTIONAL. This means that you can configure your implementation to have either a single Security state or two Security states:

- `GICD_CTLR.DS == 0` Two Security states, Secure and Non-secure, are supported.
- `GICD_CTLR.DS == 1` Only a single Security state is supported.

Configure the GIC to use the same number of Security states as the attached PEs. Typically, this means that the GIC will support two Security states when connected to Arm Cortex-A profile processors and one Security state when connected to Arm Cortex-R profile processors.

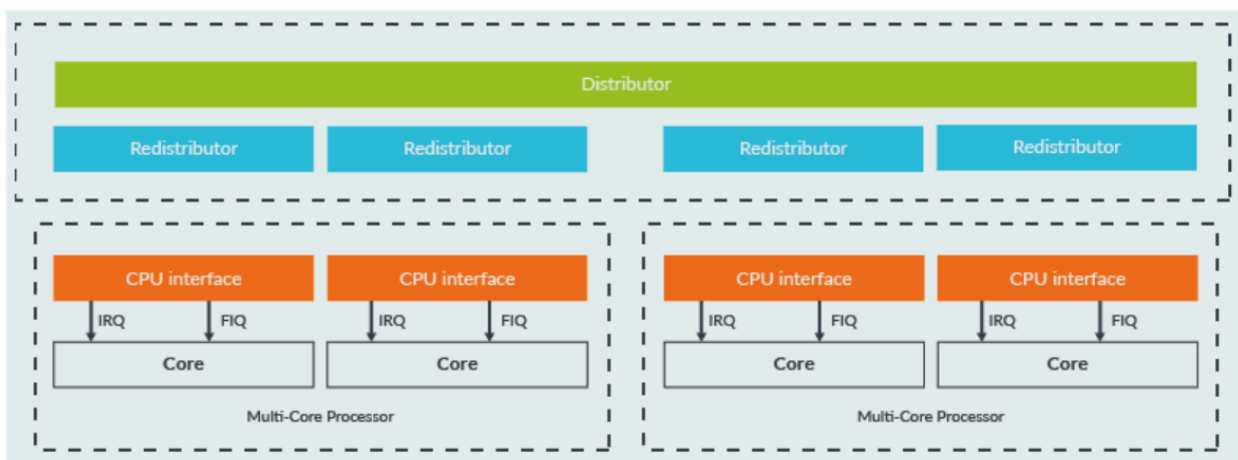
Programmer's model

The register interface of a GICv3 interrupt controller is split into three groups:

- Distributor interface
- Redistributor interface
- CPU interface

These interfaces are illustrated in the following diagram:

Figure 4-7: Programming interfaces



In general, the Distributor and the Redistributors are used to configure interrupts, and the CPU interface is used to handle interrupts.

Distributor

The Distributor registers are memory-mapped and used to configure SPIs. The Distributor provides a programming interface for:

- Interrupt prioritization and distribution of SPIs
- Enable and disable SPIs
- Set the priority level of each SPI

- Route information for each SPI
- Set each SPI to be level-sensitive or edge-triggered
- Generate message-signaled SPIs
- Control the active and pending state of SPIs
- Determine the programmer's model that is used in each Security state: affinity routing or legacy.

Redistributors

There is one Redistributor per connected core. The Redistributors provide a programming interface to:

- Enable and disable SGIs and PPIs
- Set the priority level of SGIs and PPIs
- Set each PPI to be level-sensitive or edge-triggered
- Assign each SGI and PPI to an interrupt group
- Control the state of SGIs and PPIs
- Control the base address for the data structures in memory that support the associated interrupt properties and pending state for LPIs
- Provide power management support for the connected PE

CPU interfaces

Each core contains a CPU interface, which are system registers that are used during interrupt handling. The CPU interfaces provide a programming interface to:

- Provide general control and configuration to enable interrupt handling
- Acknowledge an interrupt
- Perform a priority drop and deactivation of interrupts
- Set an interrupt priority mask for the PE
- Define the preemption policy for the PE
- Determine the highest priority pending interrupt for the PE

In Arm CoreLink GICv3, the CPU Interface registers are accessed as System registers: `ICC_*_ELn`.

Software must enable the System register interface before using these registers. This is controlled by the SRE bit in the `ICC_SRE_ELn` registers, where n specifies the Exception level: EL1-EL3.

5. Configuring the Arm GIC

This section of the guide describes how to enable and configure a GICv3-compliant interrupt controller in a bare metal environment. For detailed register descriptions see the [Arm Generic Interrupt Controller Architecture Specification GIC architecture version 3.0 and 4](#).

The configuration of Locality-specific Peripheral Interrupts (LPIs) is significantly different to the configuration of Shared Peripheral Interrupts (SPIs), Private Peripheral Interrupt (PPIs), and Software Generated Interrupts (SGIs), and is beyond the scope of this guide. To learn more, refer to our guide [Arm CoreLink Generic Interrupt Controller v3 and v4: Locality-specific Peripheral Interrupts](#).

Most systems that use a GICv3 interrupt controller are multi-core systems, and possibly also multi-processor systems. Some settings are global, which means that affect all the connected PEs. Other settings are particular to a single PE.

Let's look at the global settings, and then the settings for each PE.

Global settings

The Distributor control register (`GICD_CTLR`) must be configured to enable the interrupt groups and to set the routing mode as follows:

- **Enable Affinity routing (`ARE` bits):** The `ARE` bits in `GICD_CTLR` control whether the GIC is operating in GICv3 mode or legacy mode. Legacy mode provides backwards compatibility with GICv2. This guide assumes that the `ARE` bits are set to 1, so that GICv3 mode is being used.
- **Enables:** `GICD_CTLR` contains separate enable bits for Group 0, Secure Group 1 and Non-secure Group 1:
 - `EnableGrp1S` enables distribution of Secure Group 1 interrupts.
 - `EnableGrp1NS` enables distribution of Non-secure Group 1 interrupts.
 - `EnableGrp0` enables distribution of Group 0 interrupts.



Arm CoreLink GIC-600 does not support legacy operation, and the `ARE` bits are permanently set to 1.

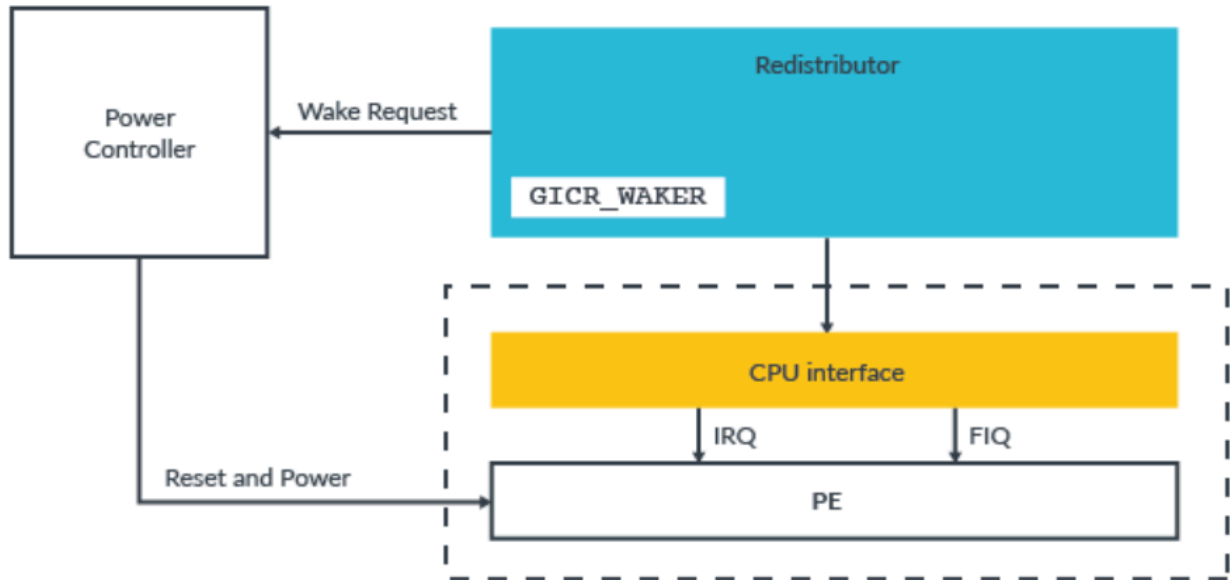
Settings for each PE

This section covers settings that are specific to a single core or PE.

Redistributor configuration

Each core has its own Redistributor, as shown here:

Figure 5-1: PE connected to redistributor



The Redistributor contains a register called `GICR_WAKER` which is used to record whether the connected PE is online or offline. Interrupts are only forwarded to a PE that the GIC believes is online. At reset, all PEs are treated as being offline.

To mark the connected PE as being online, software must:

- Clear `GICR_WAKER.ProcessorSleep` to 0.
- Poll `GICR_WAKER.ChildrenAsleep` until it reads 0.

It is important that software performs these steps before configuring the CPU interface, otherwise behavior can be **UNPREDICTABLE**.

While the PE is offline (`GICR_WAKER.ProcessorSleep==1`), an interrupt that is targeting the PE will result in a wake-request signal being asserted. Typically, this signal will go to the power controller of the system. The power controller then turns on the PE. On waking, software on that PE would clear the `ProcessorSleep` bit, allowing the interrupt that woke the PE to be forwarded.

CPU interface configuration

The CPU interface is responsible for delivering interrupt exceptions to the PE to which it is connected. To enable the CPU interface, software must configure the following:

- Enable System register access.

The CPU interfaces (`ICC*_ELn`) section describes the CPU interface registers, and how they are accessed as System registers in GICv3. Software must enable access to the CPU interface registers, by setting the `SRE` bit in the `ICC_SRE_ELn` registers.



Many recent Arm Cortex processors do not support legacy operation, and the SRE bits are fixed as set. On these processors this step can be skipped.

- Set Priority Mask and Binary Point registers.

The CPU interface contains the Priority Mask register (`ICC_PMR_EL1`) and the Binary Point registers (`ICC_BPRn_EL1`). The Priority Mask sets the minimum priority that an interrupt must have in order to be forwarded to the PE. The Binary Point register is used for priority grouping and preemption. The use of both registers is described in more detail in Handling Interrupts.

- Set EOI mode.

The EOI mode bits in `ICC_CTLR_EL1` and `ICC_CTLR_EL3` in the CPU interface control how the completion of an interrupt is handled. This is described in more detail in End of interrupt.

- Enable signaling of each interrupt group.

The signaling of each interrupt group must be enabled before interrupts of that group will be forwarded by the CPU interface to the PE. To enable signaling, software must write to the `ICC_IGRPEN1_EL1` register for Group 1 interrupts and `ICC_IGRPEN0_EL1` registers for Group 0 interrupts. `ICC_IGRPEN1_EL1` is banked by Security state. This means that `ICC_IGRPEN1_EL1` controls Group 1 for the current Security state. At EL3, software can access both Group 1 enables using `ICC_IGRPEN1_EL3`.

PE configuration

Some configuration of the PE is also required to allow it to receive and handle interrupts. A detailed description of this is outside of the scope of this guide. In this guide, we will describe the basic steps that are required for an Armv8-A compliant PE executing in AArch64 state.

- Routing controls

The routing controls for interrupts are in `SCR_EL3` and `HCR_EL2` of the PE. The routing control bits determine the Exception level to which an interrupt is taken. The routing bits in these registers have an **UNKNOWN** value at reset, so they must be initialized by software.

- Interrupt masks

The PE also has exception mask bits in `PSTATE`. When these bits are set, interrupts are masked. These bits are set at reset.

- Vector table

The location of the vector tables of the PE is set by the `VBAR_ELn` registers. Like with `SCR_EL3` and `HCR_EL2`, `VBAR_ELn` registers have an **UNKNOWN** value at reset. Software must set the `VBAR_ELn` registers to point to the appropriate vector tables in memory.

To learn more about these steps, see the [Learn the Architecture: Exception model guide](#).

SPI, PPI, and SGI configuration

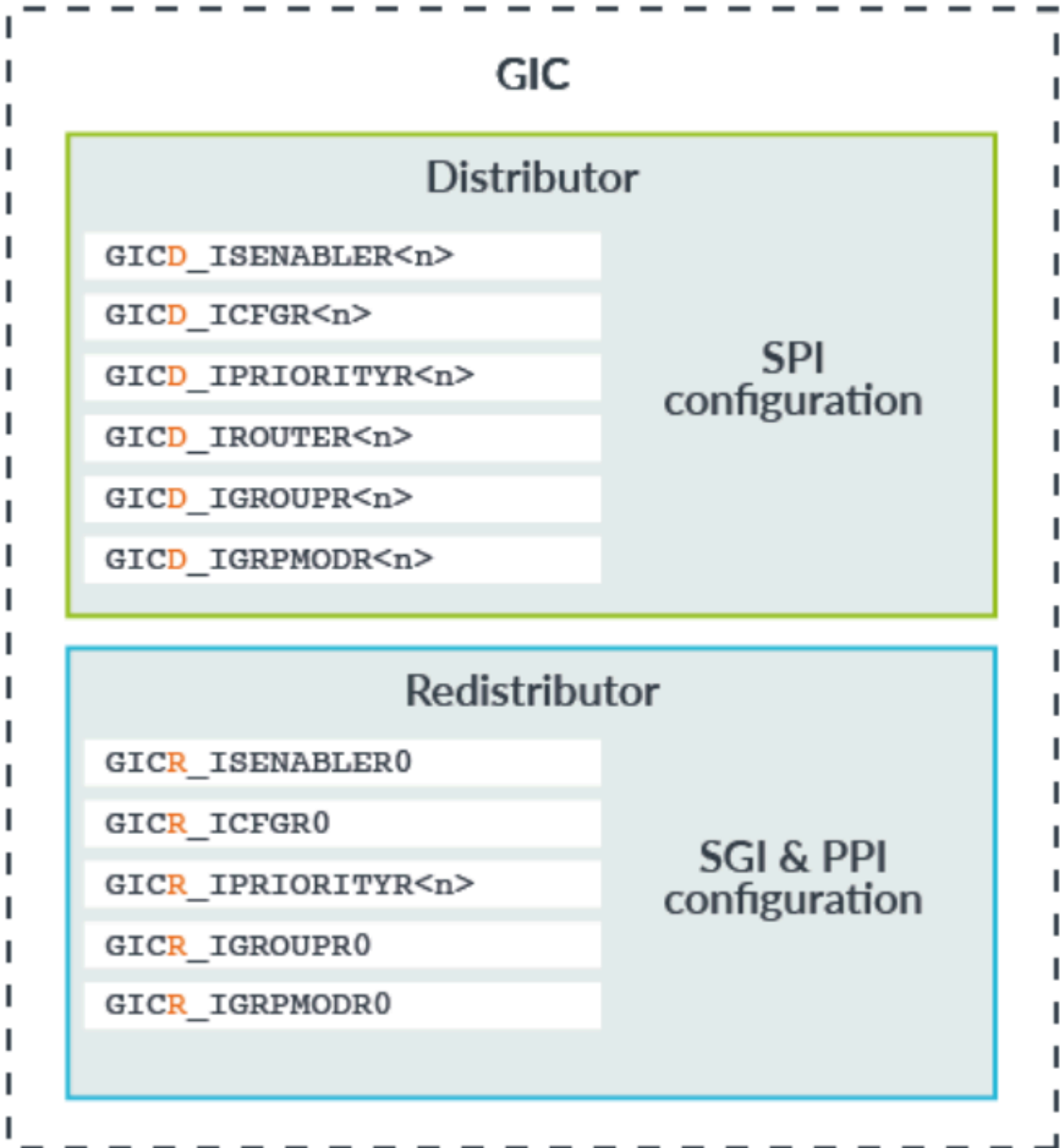
So far, we have looked at configuring the interrupt controller itself. We will now discuss the configuration of the individual interrupt sources.

Which registers are used to configure an interrupt depends on the type of interrupt:

- SPIs are configured through the Distributor, using the `GICD_*` registers.
- PPIs and SGIs are configured through the individual Redistributors, using the `GICR_*` registers.

These different configuration mechanisms are illustrated in the following diagram:

Figure 5-2: Config registers



For each INTID, software must configure the following:

- Priority: GICD_IPRIORITY_n, GICR_IPRIORITY_n

Each INTID has an associated priority, represented as an 8-bit unsigned value. 0x00 is the highest possible priority, and 0xFF is the lowest possible priority. Running priority and preemption describes how the priority value in GICD_IPRIORITY_n and GICR_IPRIORITY_n masks

low priority interrupts, and how it controls preemption. An interrupt controller is not required to implement all 8 priority bits. A minimum of 5 bits must be implemented if the GIC supports two Security states. A minimum of 4 bits must be implemented if the GIC support only a single Security state.

- Group: `GICD_IGROUPn`, `GICD_IGRPMODn`, `GICR_IGROUPn`, `GICR_IGRPMODn`

As described in Security model, an interrupt can be configured to belong to one of the three interrupt groups. These interrupt groups are Group 0, Secure Group 1 and Non-secure Group 1.

- Edge-triggered or level-sensitive: `GICD_ICFGRn`, `GICR_ICFGRn`

For PPIs and SPI, the software must specify whether the interrupt is edge-triggered or level-sensitive. SGIs are always treated as edge-triggered, and therefore `GICR_ICFGR0` behaves as Read-As-One, Writes Ignored (RAO/WI) for these interrupts.

- Enable: `GICD_ISENBLERn`, `GICD_ICENABLER`, `GICR_ISENBLERn`, `GICR_ICENABLERn`

Each INTID has an enable bit. Set-enable registers and Clear-enable registers remove the requirement to perform read-modify-write routines. Arm recommends that the settings outlined in this section are configured before enabling the INTID.

- Non-maskable: Interrupts configured as non-maskable are treated as higher priority than all other interrupts belonging to the same Group. That is, a non-maskable Non-secure Group 1 interrupt is treated as higher priority than all other Non-secure Group 1 interrupts.
 - The non-maskable property is added in GICv3.3 and requires matching support in the PE.
 - Only Secure Group 1 and Non-secure Group 1 interrupts can be marked as non-maskable.

For a bare metal environment, it is often unnecessary to change settings after initial configuration. However, if an interrupt must be reconfigured, for example to change the Group setting, you should first disable the interrupt before changing its configuration.

The reset values of most of the configuration registers are **IMPLEMENTATION DEFINED**. This means that the designer of the interrupt controller decides what the values are, and the values might vary between systems.

Arm GICv3.1 and the extended INTID ranges

Arm GICv3.1 added support for additional SPI and PPI INTIDs. The registers to configure these interrupts are the same as the original interrupt ranges, except that they have an `E` suffix. For example:

- `GICR_ISENBLERn` - Enable bits for the original PPI range
- `GICR_ISENBLERnE` - Enable bits for the additional PPIs that are introduced in GICv3.1

Setting the target PE for SPIs

For SPIs, the target of the interrupt must be configured. This is controlled by `GICD_IROUTERn` or `GICD_IROUTERnE` for the GICv3.1 extended SPIs. There is a `GICD_IROUTERn` register for each SPI, and the `Interrupt_Routing_Mode` bit controls the routing policy. The options are:

- `GICD_IROUTERn.Interrupt_Routing_Mode == 0`

The SPI is delivered to the PE A.B.C.D, which are the affinity co-ordinates specified in the register.

- `GICD_IROUTERn.Interrupt_Routing_Mode == 1`

The SPI can be delivered to any connected PE that is participating in distribution of the interrupt group. The Distributor, rather than software, selects the target PE. The target can therefore vary each time the interrupt is signaled. This type of routing is referred to as 1-of-N.

A PE can opt out of receiving 1-of-N interrupts. This is controlled by the `DPG1S`, `DPG1NS` and `DPG0` bits in `GICR_CTLR`.

6. Handling interrupts

This section describes what happens when an interrupt occurs: how the interrupt is routed to a PE, how interrupts are prioritized against each other, and what happens at the end of the interrupt, for example.

Routing a pending interrupt to a PE

The [Interrupt state machine](#) section describes how an interrupt transitions from the inactive to the pending state when the source of the interrupt is asserted. When an interrupt becomes pending, the interrupt controller decides whether to send the interrupt to one of the connected PEs based on the following tests. These tests determine which PE, if any, to send the interrupt to:

- Check that the group associated with the interrupt is enabled.

The [Security model](#) section described how each INTID is assigned to a Group: Group 0, Secure Group 1, or Non-secure Group 1. For each Group, there is a Group enable bit in both the Distributor and in each CPU Interface.

The interrupt controller checks that the Group enable bit is set for the Group associated with the INTID for that interrupt.

An interrupt that is a member of a disabled Group cannot be signaled to a PE. These interrupts remain in the pending state until the group is enabled.

- Check that the interrupt is enabled.

Individually disabled interrupts can become pending but will not be forwarded to a PE.

- Check the routing controls to decide which PEs can receive the interrupt.

Which PEs can receive an interrupt depends on what type of interrupt is being sent:

- For Shared Peripheral Interrupts (SPIs), routing is controlled by `GICD_IROUTERn`. An SPI can target one specific PE, or any one of the connected PEs.
 - For Locality-specific Peripheral Interrupts (LPIs), the routing information comes from the ITS.
 - Private Peripheral Interrupts (PPIs) are specific to one PE and can only be handled by that PE.
 - For Software Generated Interrupts (SGIs), the originating PE defines the list of target PEs. This is described further in [Sending and receiving Software Generated Interrupts](#).
- Check the interrupt priority and priority mask to decide which PEs are suitable to handle the interrupt.

Each PE has a Priority Mask register, `ICC_PMR_ELL1`, in its CPU interface. This register sets the minimum priority that is required for an interrupt to be forwarded to that PE. Only interrupts with a higher priority than the mask are signaled to the PE.

- Check the running priority to decide which PEs are available to handle the interrupt.

[Running priority and preemption covers](#) running priority, and how this affects preemption. If the PE is not already handling an interrupt, the running priority is the idle priority: 0xFF. Only an interrupt with a higher priority than the running priority can preempt the current interrupt.

If the interrupt passes all these tests, it is forwarded to the appropriate core as an IRQ or FIQ exception. To learn more, see [Setting the target PE for SPIs](#).

Taking an interrupt

When entering the exception handler, software does not know which interrupt it has taken. The handler must read one of the Interrupt Acknowledge Registers (IARs) to get the INTID of the interrupt.

There are two IARs:

Register	Use
ICC_IAR0_EL1	Used to acknowledge Group 0 interrupts. Typically read in FIQ handlers.
ICC_IAR1_EL1	Used to acknowledge Group 1 interrupts. Typically used in IRQ handlers.
ICC_NMIAR1_EL1	Used to acknowledge non-maskable Group 1 interrupts (GICv3.3 only).

Reading an IAR returns the INTID of the taken interrupt and advances the state machine of the interrupt. Typically, the IARs are read on entry to an interrupt handler. However, software is free to read the registers at any time.

Sometimes, the IAR cannot return a valid INTID. For example, software reads `ICC_IAR0_EL1`, acknowledge Group 0 interrupts, but the pending interrupt belongs to Group 1. In this case, the read returns one of the reserved INTIDs, as shown in the following table:

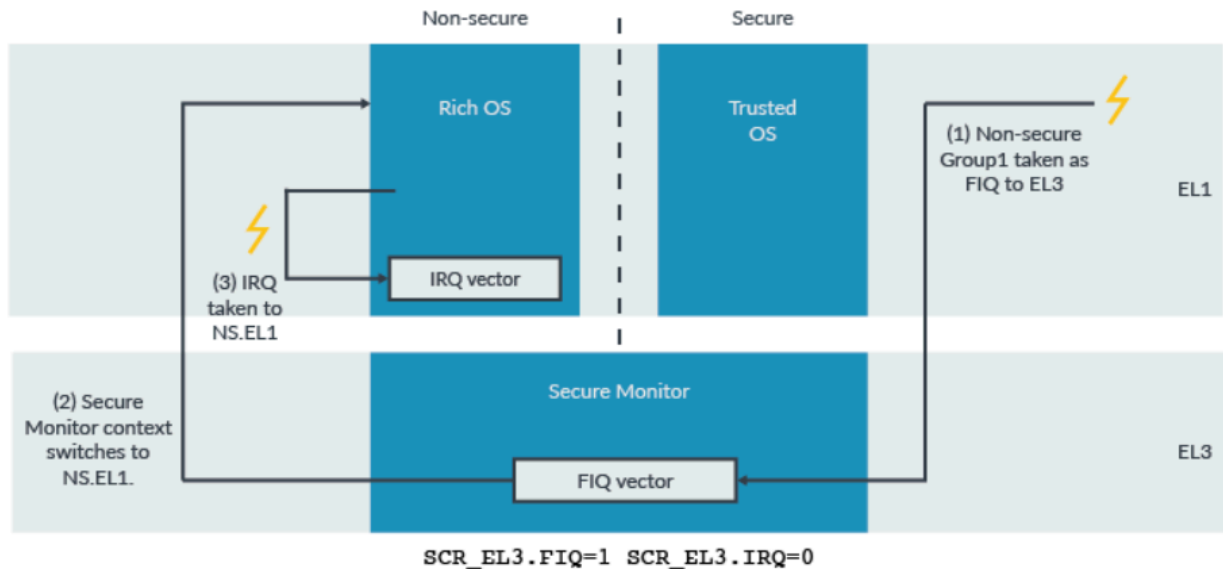
ID	Meaning	Example scenario
1020	Only returned by reads of <code>ICC_IAR0_EL1</code> . Highest pending interrupt is Secure Group 1. Only seen in EL3.	An interrupt for the Trusted OS was signaled while the PE was executing in Non-secure state. This is taken as an FIQ to EL3, so that the Secure Monitor could context switch to the Trusted OS.
1021	Only returned by reads of <code>ICC_IAR0_EL1</code> . Highest pending interrupt is Non-secure Group 1. Only seen in EL3.	An interrupt for the rich OS was signaled while the PE was executing in Secure state. This would be taken as a FIQ to EL3, so that the Secure Monitor could context switch to the rich OS.
1022	Returned on reads of <code>ICC_IAR1_EL1</code> . Highest pending interrupt is Non-secure Group 1, non-maskable property.	Interrupts with the non-maskable property are acknowledged using a different register.
1023	Spurious interrupt. There are no enabled INTIDs in the pending state, or all INTIDs in that pending are of insufficient priority to be taken.	When polling the IARs, this value indicates that there are no interrupts to available to acknowledge.

A read of an IAR that returns one of these reserved values does not acknowledge an interrupt, if one is present.

Example of interrupt handling

The following diagram shows an example of a mobile system with a modem interrupt which signals an incoming phone call. This interrupt is intended to be handled by the Rich OS in the Non-secure state.

Figure 6-1: Handling the interrupt

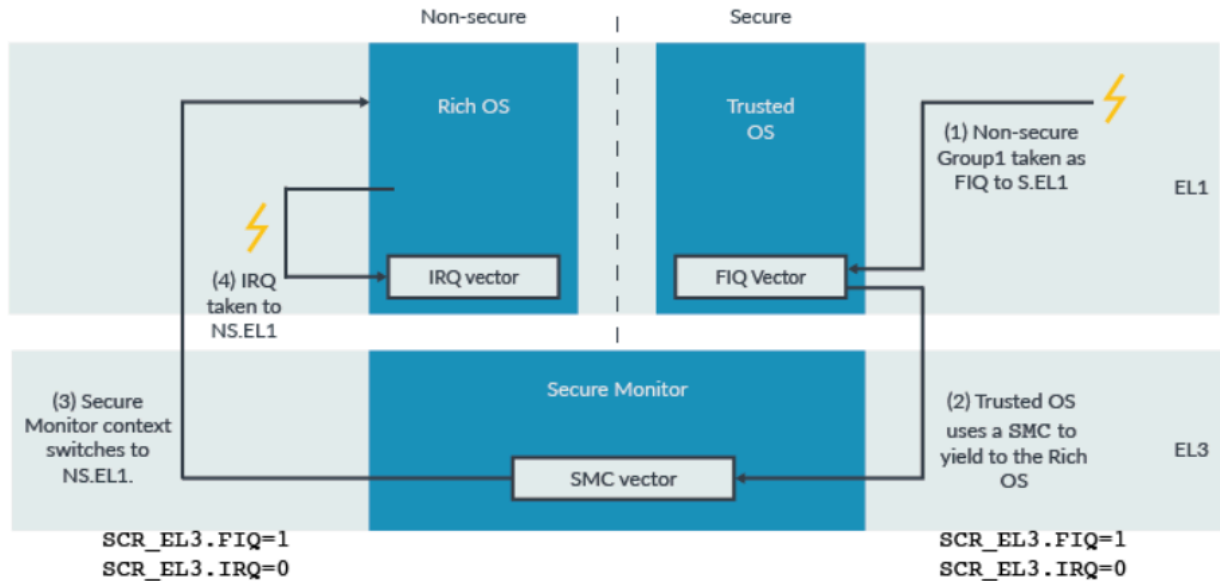


The steps involved in handling the interrupt are as follows:

1. The modem interrupt becomes pending while the PE is executing the Trusted OS at Secure EL1. As the modem interrupt is configured as Non-secure Group 1, it will be signaled as an FIQ. With `SCR_EL3.FIQ==1`, the exception is taken to EL3.
2. Secure Monitor software executing at EL3 reads the IAR, which returns 1021. This value indicates that the interrupt is expected to be handled in Non-secure state. The Secure Monitor then performs the necessary context switching operations.
3. Now that the PE is in Non-secure state, the interrupt is re-signaled as an IRQ and taken to Non-secure EL1 to be handled by the Rich OS.

In this example, the Non-secure Group 1 interrupt caused an immediate exit from the Secure OS. This might not always be required or wanted. An alternative model for this example is shown in the following diagram, where the interrupt is initially taken to Secure EL1:

Figure 6-2: Alternative routing model



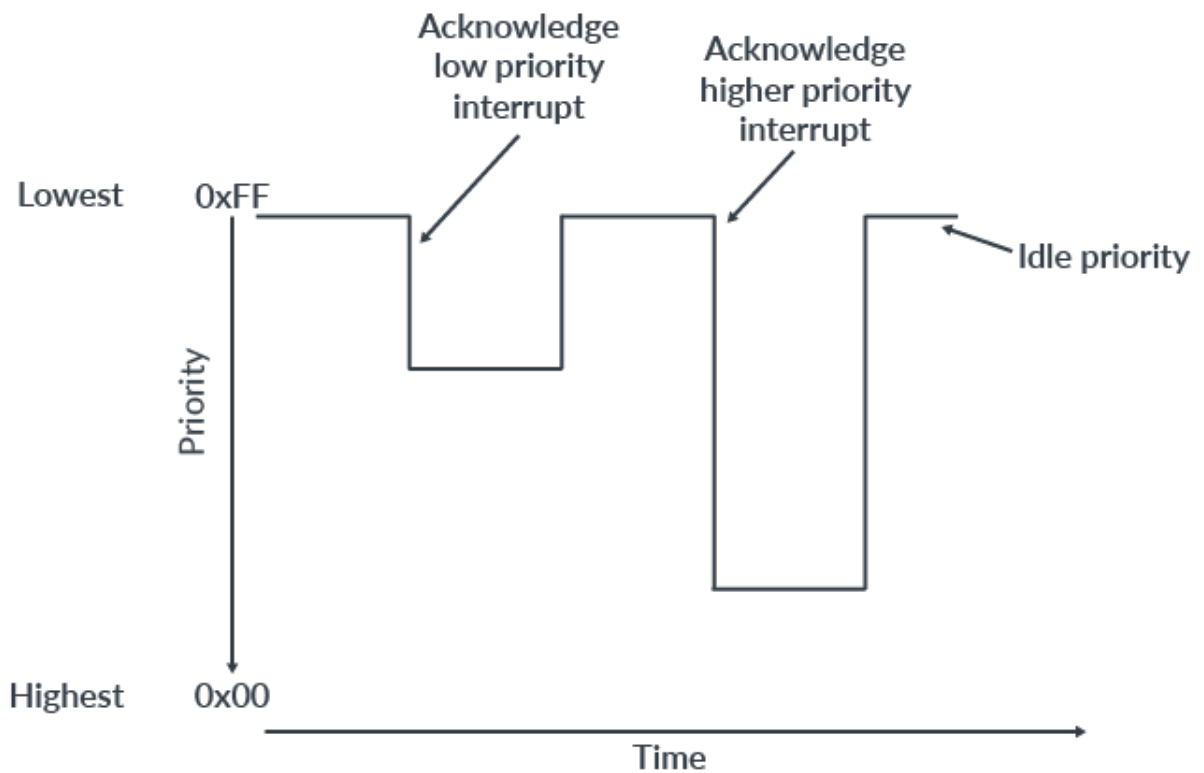
The steps involved in handling the interrupt are now as follows:

1. The modem interrupt becomes pending while the PE is executing the Trusted OS at Secure EL1. Because the modem interrupt is configured as Non-secure Group 1, it will be signaled as an FIQ. With `SCR_EL3.FIQ=0`, the exception is taken to Secure EL1.
2. The Trusted OS performs actions to tidy up its internal state. When it is ready, the Trusted OS uses an SMC instruction to yield to Non-secure state.
3. The SMC exception is taken to EL3. The Secure Monitor software executing at EL3 performs the necessary context switching operations.
4. Now that the PE is in Non-secure state, the interrupt is signaled as an IRQ and taken to Non-secure EL1 to be handled by the Rich OS.

Running priority and preemption

The Priority Mask register sets the minimum priority that an interrupt must have to be forwarded to the PE. The GICv3 architecture also has the concept of a running priority. When a PE acknowledges an interrupt, its running priority becomes the same as the priority of the interrupt. The running priority returns to its former value when the PE writes to one of the End of Interrupt (EOI) registers. The following diagram shows an example the running priority of a PE over time:

Figure 6-3: Running priority value over time

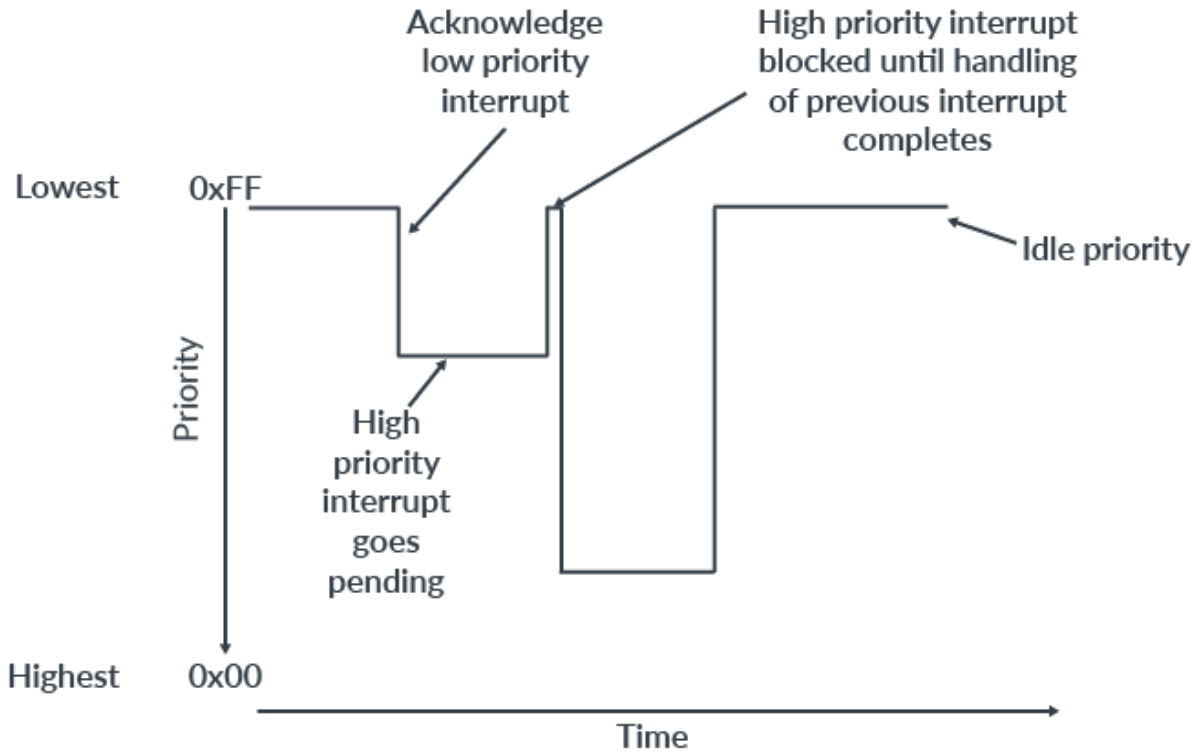


The current running priority is reported in the Running Priority register in the CPU interface: `ICC_RPR_EL1`.

The concept of running priority is important when considering preemption. Preemption occurs when a high priority interrupt is signaled to a PE that is already handling a lower priority interrupt. Preemption introduces some additional complexity for software, but it can prevent a low priority interrupt from blocking the handling of a higher priority interrupt.

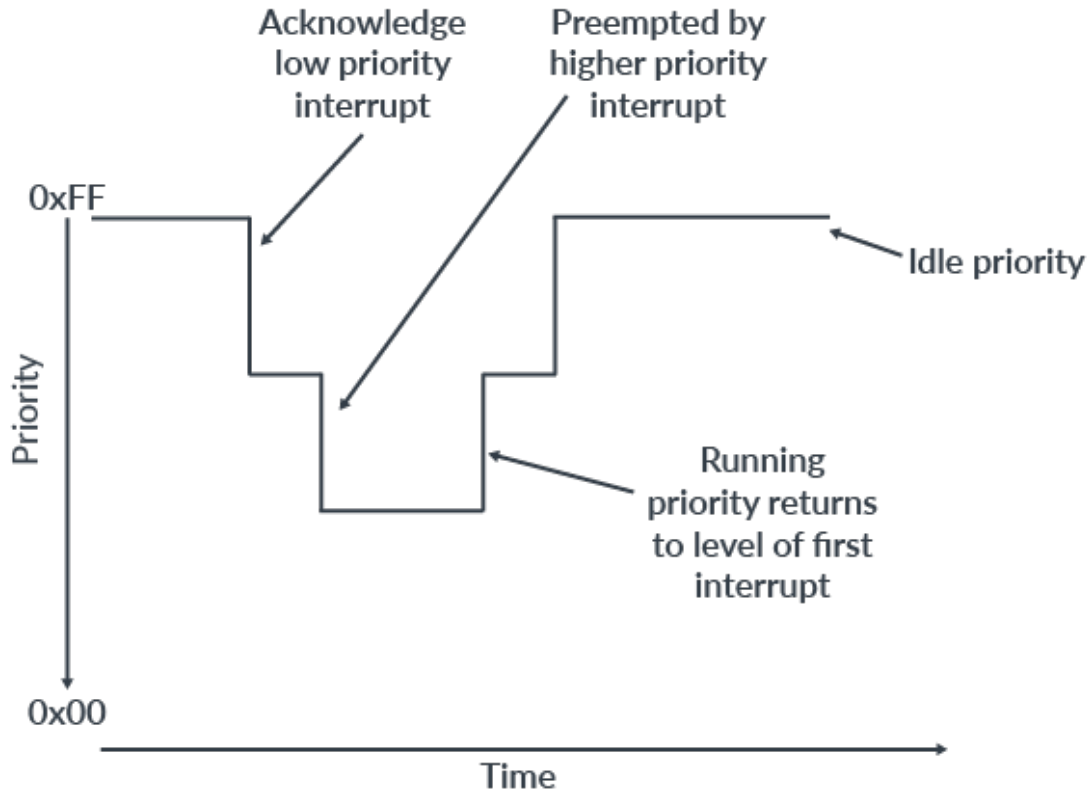
The following diagram shows what would happen if preemption was not allowed:

Figure 6-4: Without preemption



The high priority interrupt is blocked until the previously signaled low priority interrupt is taken. Now consider the same situation, but with preemption enabled:

Figure 6-5: With preemption



When the higher priority interrupt becomes pending, it preempts the previously signaled low priority interrupt. The preceding diagram shows one level of preemption. However, it is possible to have multiple levels of preemption.

The Arm CoreLink GICv3 architecture allows software to control preemption by specifying the difference in priority required for preemption to occur. This is controlled through the Binary Point registers: `ICC_BPRn_EL1`.

The Binary Point registers split the priority into two fields, group priority and sub-priority, as you can see here:

Figure 6-6: 8-bit priority value



For preemption, only the group priority bits are considered. The sub-priority bits are ignored.

For example, consider the following three interrupts:

- INTID A has priority 0x10.
- INTID B has priority 0x20.
- INTID C has priority 0x21.

In this example, we decided that:

- A can preempt B or C.
- B cannot preempt C, because B and C have similar priorities.

To achieve this, the split between Group and sub-priority could be set at N=4, as you can see here:

Figure 6-7: Group priority

	Group	Subpriority
A	0 0 0 1	0 0 0 0
B	0 0 1 0	0 0 0 0
C	0 0 1 0	1 0 0 1

With this split, B and C now have the same priority for the purpose of preemption. However, A still has a higher priority, which means that it can preempt either B or C.

The Binary Point registers only affect preemption, that is, whether an interrupt should be signaled while already handling a different interrupt. When choosing between pending interrupts, the Binary Point registers are not used.



Preemption requires that the interrupt handler, or handlers, are written to support nesting. Details of how to write such an interrupt handler are outside of the scope of this guide.

End of interrupt

Once the interrupt has been handled, software must inform the interrupt controller that the interrupt has been handled, so that the state machine can transition to the next state. The Arm CoreLink GICv3 architecture treats this as two tasks:

- Priority drop

This means dropping the running priority back to the value that it had before the interrupt was taken.

- Deactivation

This means updating the state machine of the interrupt that is currently being handled. Typically, this will be a transition from the Active state to the Inactive state.

In the GICv3 architecture, priority drop and deactivation can happen together or separately. This is determined by the settings of `ICC_CTLR_ELn.EOImode`:

- `EOImode = 0`

A write to `ICC_EOIR0_EL1` for Group 0 interrupts, or `ICC_EOIR1_EL1` for Group 1 interrupts, performs both the priority drop and deactivation. This mode is often used for a simple bare metal environment.

- `EOImode = 1`

A write to `ICC_EOIR0_EL1` for Group 0 interrupts, or `ICC_EOIR1_EL1` for Group 1 interrupts results in a priority drop. A separate write to `ICC_DIR_EL1` is required for deactivation. This mode is often used for virtualization purposes.

Most software will use `EOImode==0`. `EOImode==1` is most often used by hypervisors.

Checking the highest priority pending interrupt and running priority

As their names suggest, the Highest Priority Pending Interrupt registers, `ICC_HPPIR0_EL1` and `ICC_HPPIR1_EL1`, report the INTID of the highest priority pending interrupt for a PE.

Running priority was introduced in [Running priority and preemption](#), and is reported by the Running Priority register (`ICC_RPR_EL1`).

Checking the state of individual INTIDs

The Distributor provides registers that indicate the current state of each SPI. Similarly, the Redistributors provide registers that indicate the state of PPIs and SGIs for their connected PEs.

These registers can also move an interrupt to a specific state. This can be useful, for example, for testing that the configuration is correct without requiring the peripheral to assert the interrupt.

There are separate registers to report the active state and the pending state. The following table lists the active state registers. The pending state registers have the same format:

Register	Description
GICD_ISACTIVERn	<p>Sets the active state for SPIs.</p> <p>One bit for each INTID.</p> <p>Reads of a bit return the current state of the INTID:</p> <ul style="list-style-type: none"> 1 - The INTID is active. 0 - The INTID is not active. <p>Writing 1 to a bit activates the corresponding INTID.</p> <p>Writing 0 to a bit has not effect.</p>
GICD_ICACTIVERn	<p>Clears the active state for SPIs.</p> <p>One bit for each INTID.</p> <p>Reads of a bit return the current state of the interrupt:</p> <ul style="list-style-type: none"> 1 - The INTID is active. 0 - The INTID is not active. <p>Writing 1 to a bit activates the corresponding INTID.</p> <p>Writing 0 to a bit has not effect.</p>
GICR_ISACTIVERn	<p>Sets the active state for SGIs and PPIs.</p> <p>One bit for each INTID. This register covers INTIDs 0 to 31, which are private to each PE.</p> <p>Reads of a bit return the current state of the interrupt:</p> <ul style="list-style-type: none"> 1 - The INTID is active. 0 - The INTID is not active. <p>Writing 1 to a bit activates the corresponding INTID.</p> <p>Writing 0 to a bit has not effect.</p>
GICR_ICACTIVERn	<p>Clears the active state for SGIs and PPIs.</p> <p>One bit for each INTID. This register covers INTIDs 0 to 31, which are private to each PE.</p> <p>Reads of a bit return the current state of the interrupt:</p> <ul style="list-style-type: none"> 1 - The INTID is active. 0 - The INTID is not active. <p>Writing 1 to a bit activates the corresponding INTID.</p> <p>Writing 0 to a bit has not effect.</p>



Software executing in Non-secure state cannot see the state of Group 0 or Secure Group 1 interrupts, unless access is permitted by GICD_NASCRn or GICR_NASCRn.

7. Sending and receiving Software Generated Interrupts

Software Generated Interrupts (SGIs) are interrupts that software can trigger by writing to a register in the interrupt controller.

Generating SGIs An SGI is generated by writing to one of the following SGI registers in the CPU interface:

System register interface	Description
ICC_SGI0R_EL1	Generates a Secure Group 0 interrupt.
ICC_SGI1R_EL1	Generates a Group 1 interrupt, for the current Security state of the PE.
ICC_ASGI1R_EL1	Generates a Group 1 interrupt, for the other Security state of the PE.

You can see the basic format of the SGI registers in the following diagram:

Figure 7-1: SGI registers



Controlling the SGI ID

The SGI ID field controls which INTID is generated. As described in Interrupt types, INTIDs 0-15 are used for SGIs.

Controlling the target

The IRM (Interrupt Routing Mode) field in the SGI registers controls which PE or PEs an SGI is sent to. There are two options:

- IRM = 0

The interrupt is sent to <aff3>.<aff2>.<aff1>.<Target List>, where <target list> is encoded as 1 bit for each affinity 0 node under <aff1>. This means that the interrupt can be sent to a maximum of 16 PEs, which might include the originating PE.

- IRM = 1

The interrupt is sent to all connected PEs, except the originating PE (self).

Controlling the Security state and grouping

The Security state and grouping of SGIs is controlled by:

- The SGI register, ICC_SGI0R_EL1, ICC_SGI1R_EL1, or ICC_ASGIR_EL1, that is written by software on the originating PE.
- The GICR_IGROUPR0 and GICR_IGRPMODR0 registers of the target PE or PEs.

Software executing in Secure state can send both Secure and Non-secure SGIs. Whether software executing in Non-secure state can generate Secure SGIs is controlled by GICR_NSACR.

This register can only be accessed by software executing in Secure state. The following table shows the GIC determines whether an interrupt is forwarded or not by inspecting:

- The Security state of the originating PE.
- The interrupt handling configuration of the PE which the interrupt is targeting.
- The SGI register.

Security state of sending PE	SGI register written	Configuration on receiving PE	Forwarded?
Secure EL3/EL1	ICC_SGI0R_EL1	Secure Group 0	Yes
		Secure Group 1	No
		Non-secure Group 1	No
Secure EL3/EL1	ICC_SGI1R_EL1	Secure Group 0	No (*)
		Secure Group 1	Yes
		Non-secure Group 1	No
Secure EL3/EL1	ICC_ASGI1R_EL1	Secure Group 0	No
		Secure Group 1	No
		Non-secure Group 1	Yes
Non-secure EL2/EL1	ICC_SGI0R_EL1	Secure Group 0	Configurable by GICR_NSACR (*)
		Secure Group 1	No
		Non-secure Group 1	No
Non-secure EL2/EL1	ICC_SGI1R_EL1	Secure Group 0	Configurable by GICR_NSACR (*)
		Secure Group 1	Configurable by GICR_NSACR
		Non-secure Group 1	Yes
Non-secure EL2/EL1	ICC_ASGI1R_EL1	Secure Group 0	Configurable by GICR_NSACR (*)
		Secure Group 1	Configurable by GICR_NSACR
		Non-secure Group 1	No

- This table assumes that GICD_CTLR.DS==0. When GICD_CTLR.DS==1, the SGIs marked with (*) are also forwarded.

Comparison of GICv3 and GICv2

In Arm GICv2, SGI INTIDs are banked by the originating PE and the target PE. This means that a given PE could have the same SGI INTID pending a maximum of eight times, once from each PE in the system.

In Arm GICv3, SGIs are only banked by the target PE. This means that a given PE can only have one instance of an SGI INTID pending.

Let's illustrate this difference with an example. PEs A and B simultaneously send SGI INTID 5 to PE C, as shown here:

Figure 7-2: Multiple senders example



How many interrupts will C receive?

- For GICv2: Two interrupts

The GIC will receive both the interrupts from A and B. The order of the two interrupts depends on the individual design and the precise timing. The two interrupts can be distinguished by the fact that the ID of the originating PE is prefixed to the INTID that is returned by `GICC_IAR`.

- For GICv3: One interrupt

Because the originating PE does not bank the SGI, the same interrupt cannot be pending on two PEs. Therefore, C only receive one interrupt, with ID 5, no prefix.

The example assumes that the two interrupts are sent simultaneously or almost simultaneously. If C were able to acknowledge the first SGI before the second SGI arrived, then C would see two interrupts in GICv3.



During legacy operation, that is when `GICD_CTLR.ARE=0`, the behavior of SGIs is the same as in Arm CoreLink GICv2.

8. Example

There is a short example to accompany this guide that is [downloadable as a zip file](#).

The example configures the system counter to generate a system count, and then uses two timers to generate interrupts based on the system count. As each timer fires, the interrupt handler disables the associated timer to clear the interrupt.

The example requires Arm Development Studio. If you do not already have a copy, you can [download an evaluation copy](#).

Refer to the ReadMe.txt file in the zip file for full instructions to build and run the example.

9. Check your knowledge

Q: What are the four interrupt types in Arm GICv3, and how are they identified?

A: The four types are Locality-specific Peripheral Interrupts (LPIs), Shared Peripheral Interrupts (SPIs), Private Peripheral Interrupts (PPIs), and Software Generated Interrupts (SGIs). The type can be identified from the INTID, the interrupt source ID number.

Q: What are the different groups that an interrupt can be assigned to, and what are each of those groups typically used for?

A: Group 0 is typically used for interrupts that target the EL3 firmware.

Secure Group 1 is typically used for interrupts that target the Secure state software.

Non-secure Group 1 is typically used for interrupts that target the Non-secure kernel or hypervisor.

Q: Which registers would an interrupt handler read to find out which interrupt it had taken?

A: One of the `ICC_IARn_EL1` registers.

Q: Out of reset, the GIC treats all the connected PEs as being offline or asleep. How does software mark a PE as being online?

A: By clearing the `GICR_WAKER.ProcessorSleep` in the Redistributor of that PE, then polling until `ChildrenAsleep` reads as 0.

Q: What configuration does the GIC store for each interrupt source?

A:

- Enable
- Priority
- Edge-triggered vs Level-sensitive
- Group
- Target (SPIs only)

Q: Can a PE send an SGI to itself?

A: Yes

Q: If a PE is already handling an interrupt, what controls whether another interrupt can preempt it?

A: The priority of the second interrupt and the value of the Binary Point register: `ICC_BPRn_EL1`.

10. Related information

Here are some resources related to material in this guide:

- [GIC specifications](#)
- [GIC home page on developer.arm.com](#)
- [GIC Stream Protocol interface version B](#)
- [Arm Community](#)
- [The Learn the Architecture: Exception model guide](#)

11. Next steps

This guide has introduced the Arm CoreLink GICv3 and v4 architecture and how to initialize a GIC in a bare metal environment. This guide briefly introduced the Locality-specific Peripheral Interrupts (LPI) interrupt type. How LPIs are handled and initialized is covered in our guide [Arm CoreLink Generic Interrupt Controller v3 and v4: Locality-specific Peripheral Interrupts](#).

The Arm CoreLink GIC architecture supports virtualization. To learn more about virtualization features in GICv3 and GICv4, read our guide [Arm CoreLink Generic Interrupt Controller v3 and v4: Virtualization](#).

12. Appendix: Legacy operation

GICv3 made several changes to the programmer’s model compared to GICv2. To support legacy software written for GICv2 systems, GICv3 has optional support for legacy operation.

Support for legacy operation is optional and DEPRECATED. Several of the latest GIC implementations from Arm no longer support it.

The programmers’ model that is used is controlled by the Affinity Routing Enable (ARE) bits in GICD_CTRL:

- When ARE==0, affinity routing is disabled (legacy operation).
- When ARE==1, affinity routing is enabled (GICv3 operation).

In a system with two Security states, affinity routing can be controlled separately for each Security state. Only specific combinations are permitted, and these are as follows:

Figure 12-1: Supported combinations

